

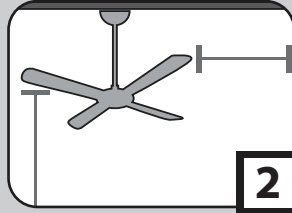
Congratulations on purchasing your new Casablanca® ceiling fan! It will provide comfort and performance in your home or office for many years. This installation and operation manual contains complete instructions for installing and operating your fan.

We are proud of our work and appreciate the opportunity to supply you with the best ceiling fan available anywhere in the world.

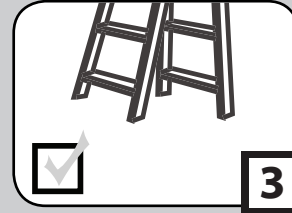
To register your fan, please visit:
www.CasablancaFanCo.com/register

Save your receipt for proof of purchase.

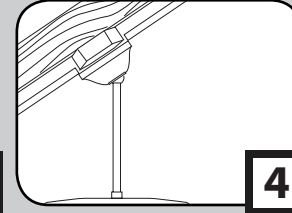
What to Expect with Your Installation



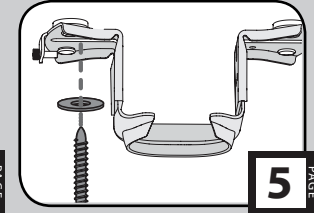
Tools Needed



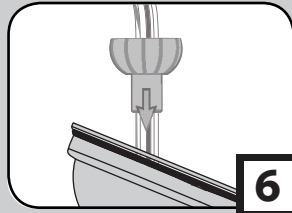
Mounting Options



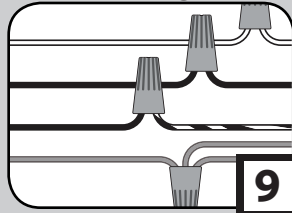
Ceiling Bracket



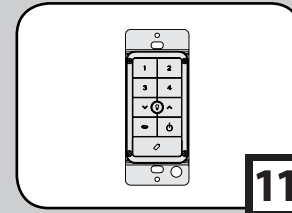
Downrod



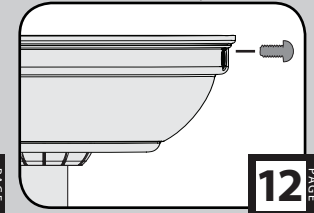
Wiring



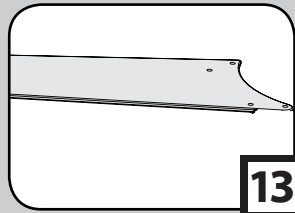
Wall Control



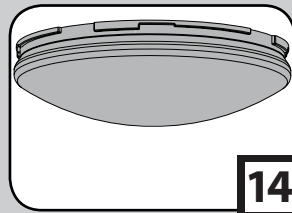
Canopy



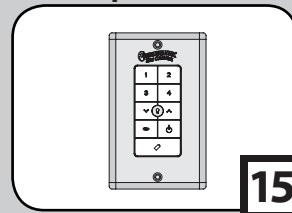
Blades



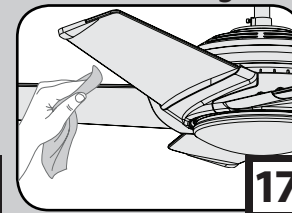
Globe



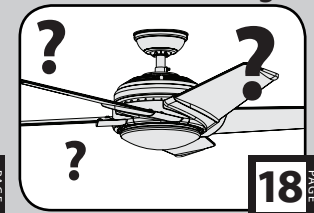
Operation



Maintenance & Cleaning



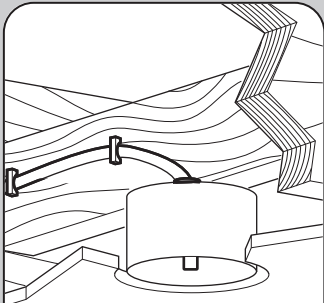
Troubleshooting



What to Expect with Your Installation

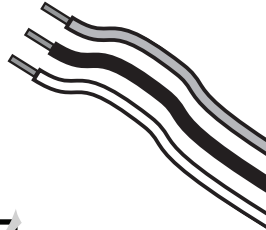
www.CasablancaFanCo.com

1.888.227.2178

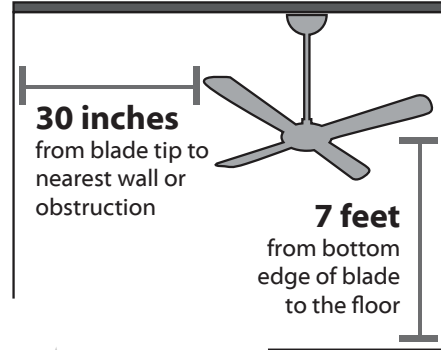


Must be able to secure the fan to building structure or fan-rated outlet box

If you are unfamiliar with wiring, use a qualified electrician.



Know your wiring



Assess location

You may need a friend to help you.



Check box to see fan weight



Ceiling angles greater than 34° will require an Angled Mounting Kit. See page 4 for details.

Assess ceiling angle

1 Standard Downrod
for ceilings 8-10 feet high

2 Shorter Downrod
for fans installed close to ceiling

3 Longer Downrod
for ceilings 10 feet or higher

Select a downrod length

Read and Save These Instructions

This product conforms to UL Standard 507.

⚠ WARNINGS

w.1 - To reduce the risk of fire, electrical shock, or personal injury, mount fan directly from building structure and/or an outlet box marked acceptable for fan support of 70 lbs (31.8 kg) and use the mounting screws provided with the outlet box.

w.2 - To avoid possible electrical shock, before installing or servicing your fan, disconnect the power by turning off the circuit breakers to the outlet box and associated wall switch location. If you cannot lock the circuit breakers in the off position, securely fasten a prominent warning device, such as a tag, to the service panel.

w.3 - To reduce the risk of fire, electrical shock, or motor damage, use only Casablanca Solid State Speed Controls.

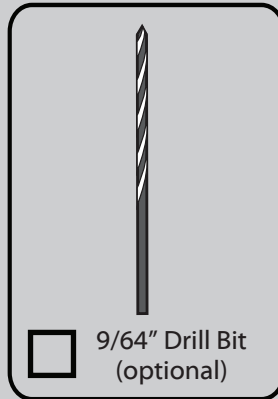
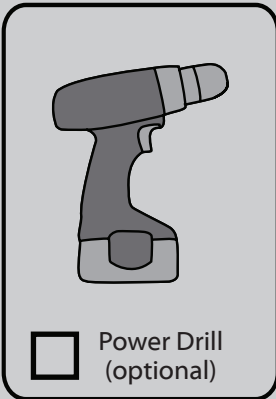
w.4 - To reduce the risk of personal injury, do not bend the blade brackets when installing the blade brackets, balancing the blades, or cleaning the fan. Do not insert foreign objects in between rotating fan blades.

⚠ CAUTIONS

c.1 - All wiring must be in accordance with national and local electrical codes ANSI/NFPA 70. If you are unfamiliar with wiring, use a qualified electrician.

c.2 - Use only Casablanca replacement parts.

This equipment has been tested and found to comply with the limits for a Class B digital device, pursuant to part 15 of the FCC Rules. These limits are to provide reasonable protection against harmful interference in a residential installation. This equipment generates, uses and can radiate radio frequency energy and if not installed and used in accordance with the instructions may cause harmful interference to radio communications.



If mounting to a support structure, you will also need these tools.

34°

CEILING ▲

If you have a flat ceiling:

Hang your fan by a standard downrod (included).

Standard
Mounting

OPTION 1

If you have an angled ceiling:

1. You will need a longer downrod (sold separately).
2. If your ceiling angle is greater than 34°, you will also need an Angled Mounting Kit (sold separately).

Angled
Mounting

OPTION 2

Use the three steps below to determine if your ceiling angle is greater than 34°



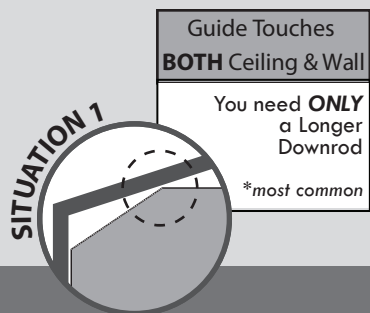
1

FOLD
on dotted line

2

PLACE
against wall

3

SLIDE
toward ceiling

SITUATION 1

Guide Touches
BOTH Ceiling & Wall

You need **ONLY**
a Longer
Downrod

**most common*



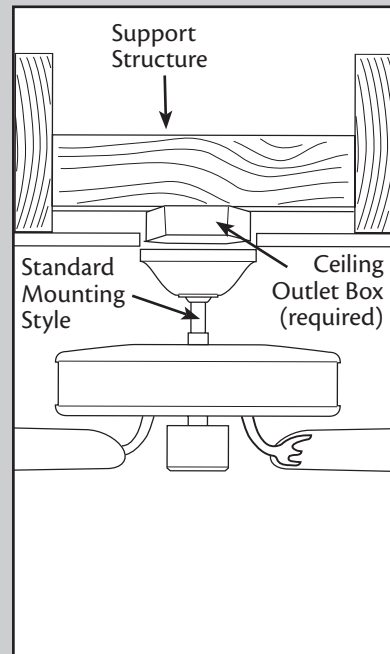
SITUATION 2

Guide Touches Wall
but **NOT** Ceiling

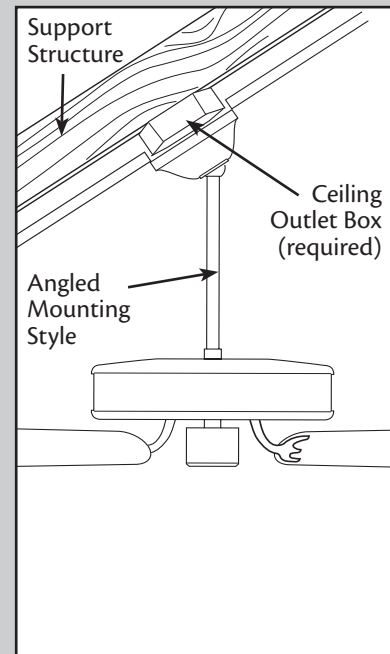
You need **BOTH**
a Longer
Downrod &
an Angled
Mounting Kit

Mounting Options

1.888.227.2178

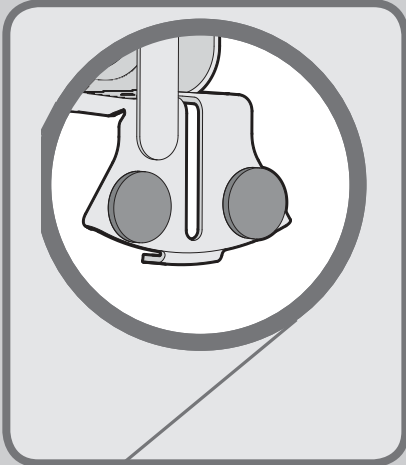


Use **Standard Mounting**
or **Low-Profile Mounting**
to hang the fan from a flat ceiling.



Use **Angled Mounting**
to hang the fan from a
vaulted or angled ceiling.

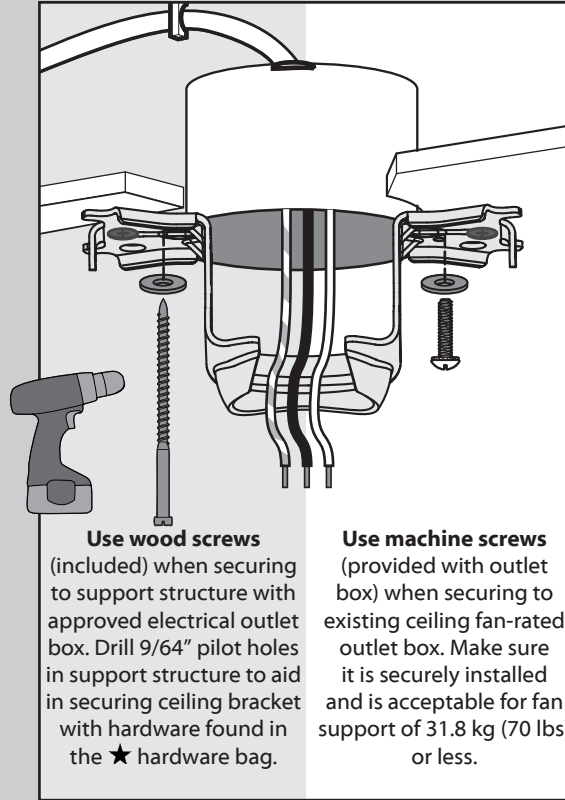
4



Make sure all four bumpers are still attached.

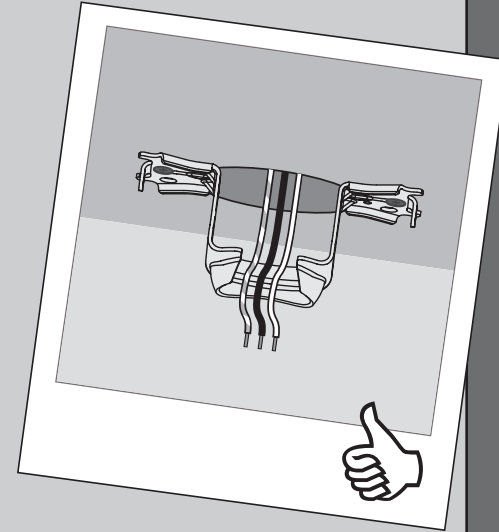


If you are unable to do this, call Technical Support at 1-888-277-2178.



Use wood screws (included) when securing to support structure with approved electrical outlet box. Drill 9/64" pilot holes in support structure to aid in securing ceiling bracket with hardware found in the ★ hardware bag.

Use machine screws (provided with outlet box) when securing to existing ceiling fan-rated outlet box. Make sure it is securely installed and is acceptable for fan support of 31.8 kg (70 lbs) or less.



Refer to warning w.1 on pg. 2



To avoid possible electrical shock, before installing your fan, disconnect the power by turning off the circuit breakers to the outlet box associated with the wall switch location.



Option 1

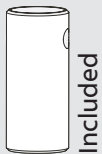
Standard Downrod
for ceilings 8-10' high



Included
(pre-assembled)

Option 2

Shorter Downrod
for fans installed
close to ceiling



Included

Option 3

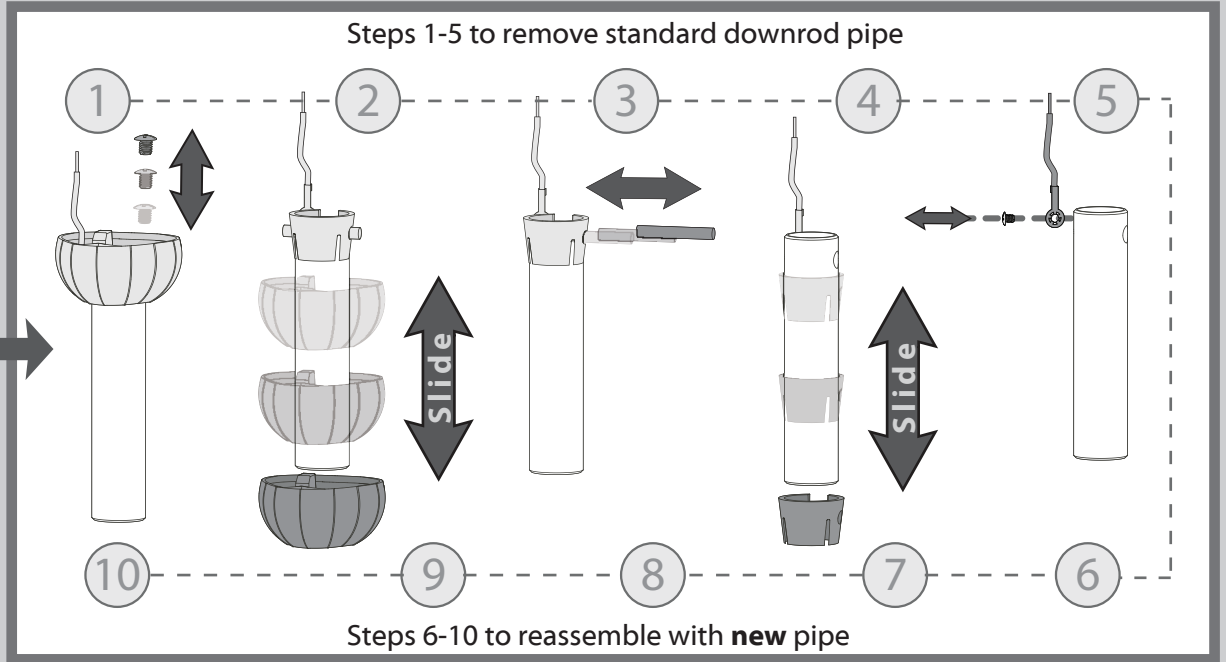
Longer Downrod
for angled
ceilings or
ceilings 10' or
higher

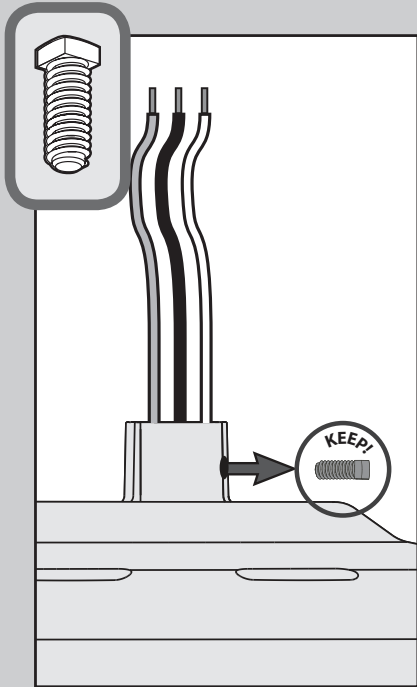


Sold Separately

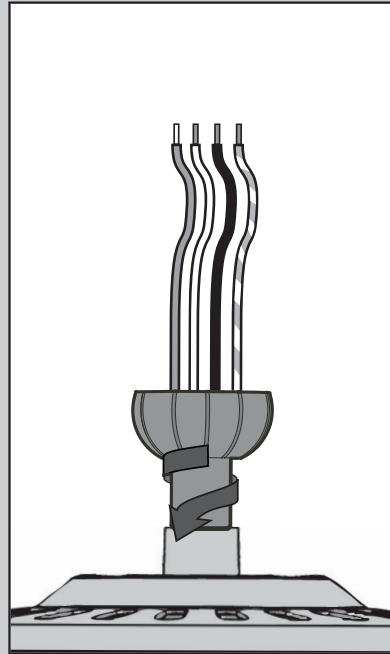
skip to next page

If you need a different downrod length follow these steps:

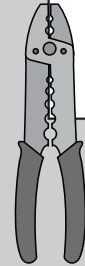
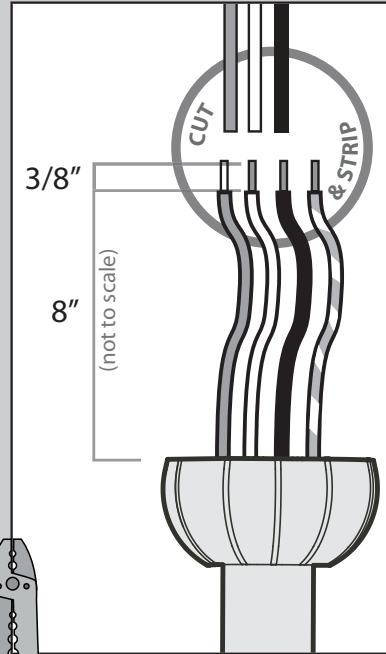




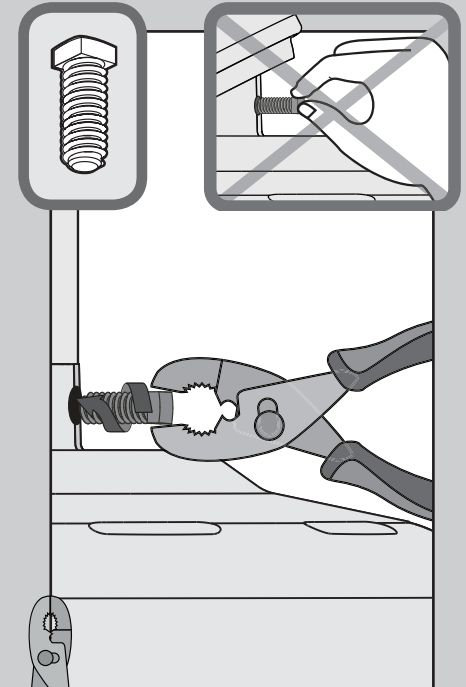
Remove the pre-installed setscrew so that the downrod can be inserted.



Hand tighten the downrod (at least 4-5 full turns) until it stops.



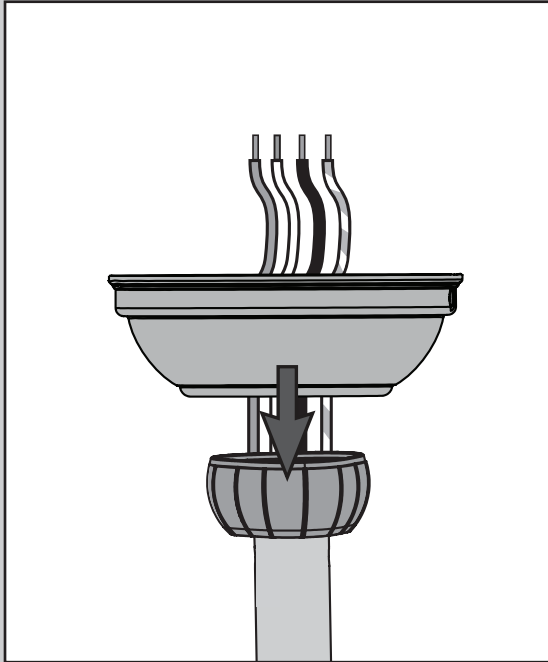
The wires can be cut, but leave at least 8" extending from the top of the downrod.



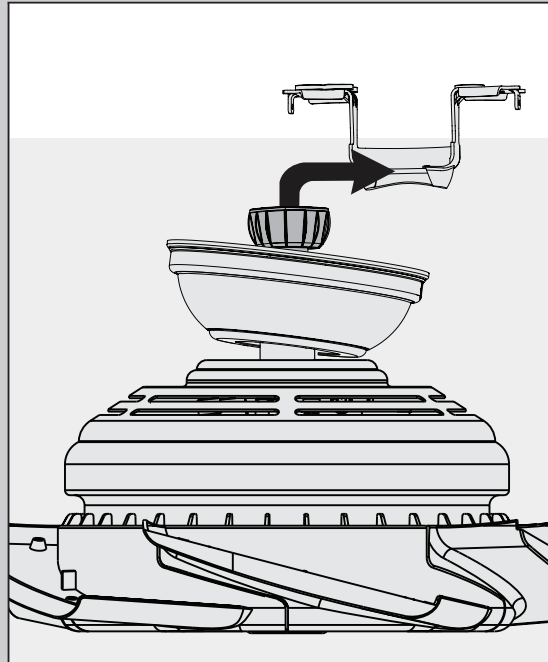
Tighten the setscrew with pliers. **DO NOT HAND TIGHTEN.**



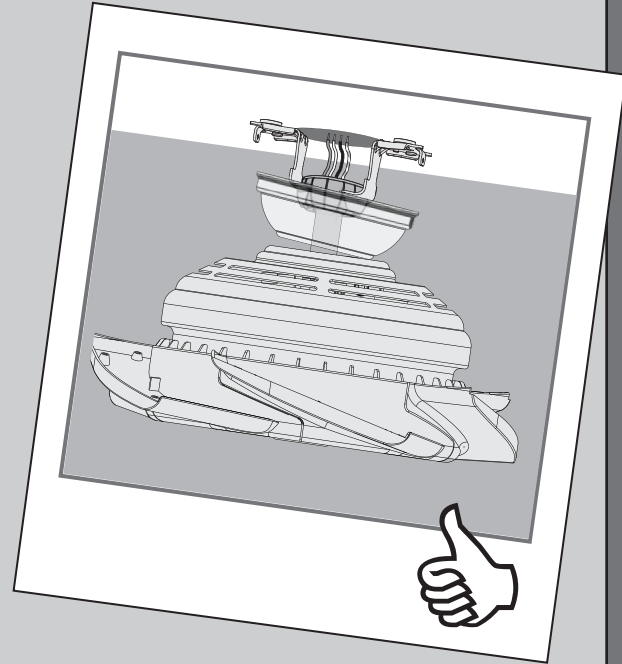
If the setscrew is not tightened securely, the fan may fall.



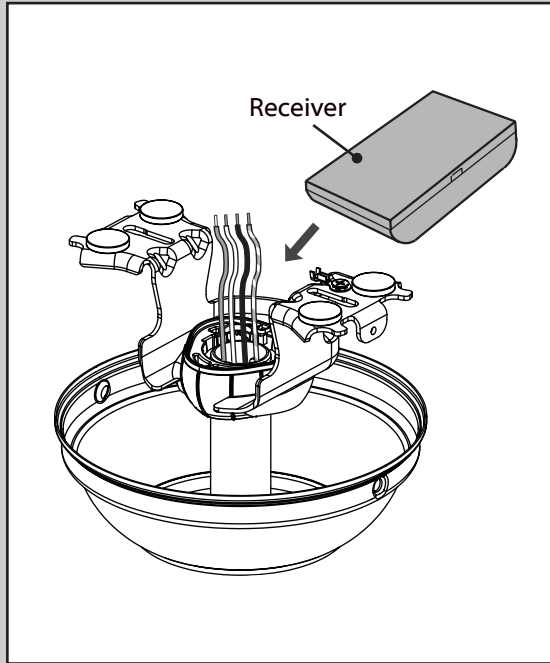
Put the wires and downrod through the canopy.
Let the canopy sit loosely on top of the fan.



DO NOT PICK THE FAN UP BY THE CANOPY OR WIRES. Place the downrod ball into the slot in the ceiling bracket.



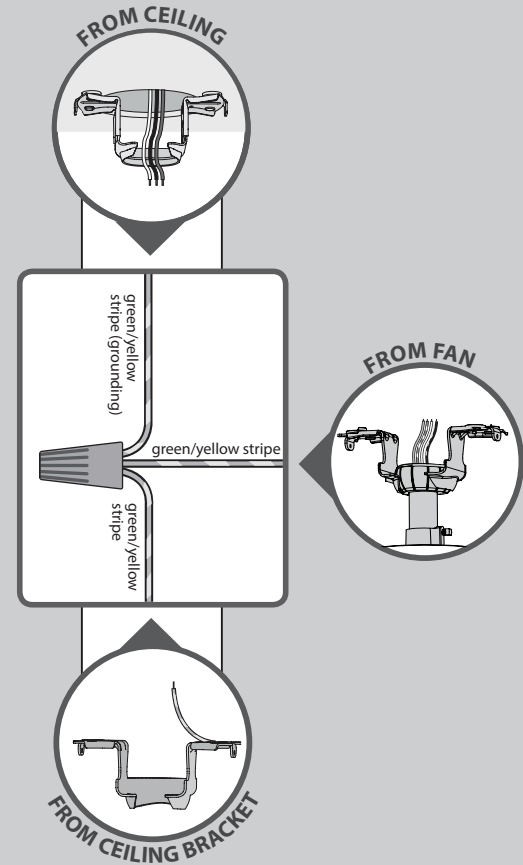
Note: To connect the wires, hold the bare metal leads together and place a wire connector over them, then twist clockwise until tight.



Receiver

Place the receiver on top of the downrod assembly as shown.

Using an orange wire connector from the ★ hardware bag:
Connect the 3 grounding wires (green, green/yellow stripe, or bare copper) coming from the ceiling, downrod, and ceiling bracket.

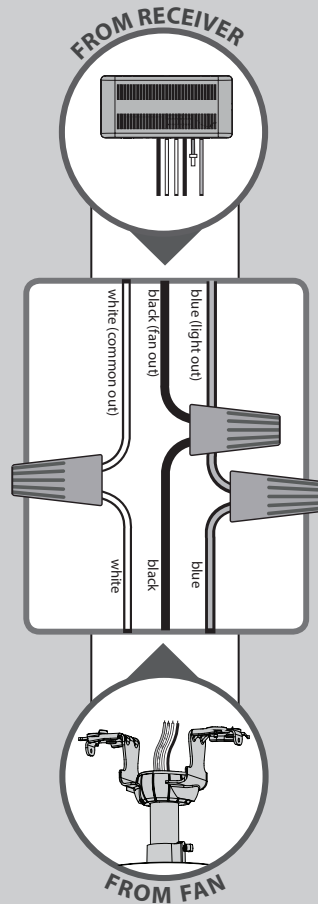


Refer to CAUTION c.1 on pg. 2



Turn the splices upward and push them carefully back through the hanger bracket into the outlet box. Spread the wires apart, with the grounded wires on one side of the outlet box and the ungrounded wires on the other side of the outlet box.





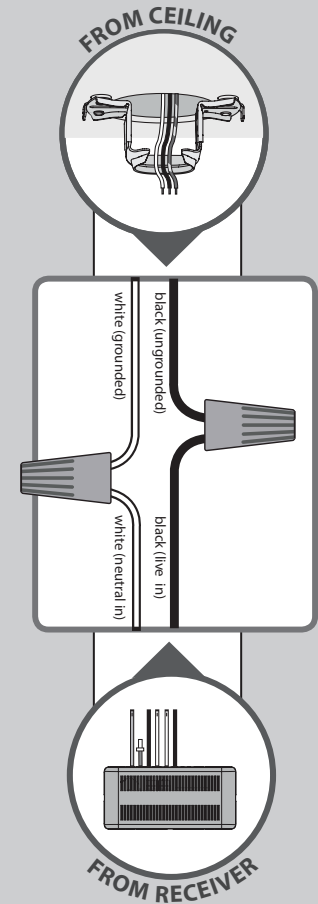
Using the wire connectors from the remote control hardware bag:

- Connect the white wire from the receiver (marked “common out”) to the white wire from fan.
- Connect the black wire from the receiver (marked “fan out”) to the black wire from the fan.
- Connect the blue wire from the receiver (marked “light out”) to the blue wire from the fan.

The red wire from the receiver will not be used, it has a pre-installed wire terminator.

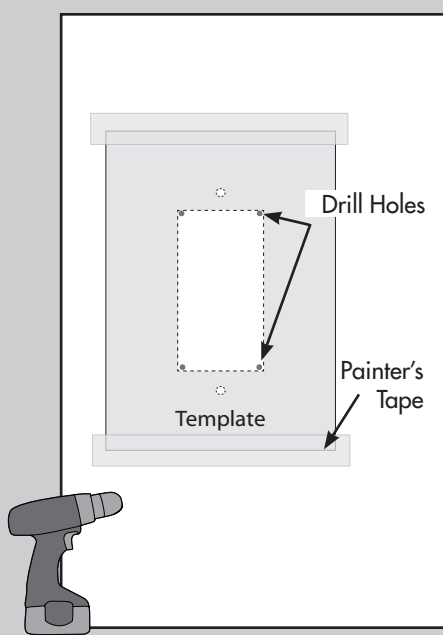
Using an orange wire connector from the ★ hardware bag:

- Connect the black wire (ungrounded) from the ceiling to the black wire from the receiver (marked “live in”).
- Connect the white wire (grounded) from the ceiling to the white wire from the receiver (marked “neutral in” or “common in”).



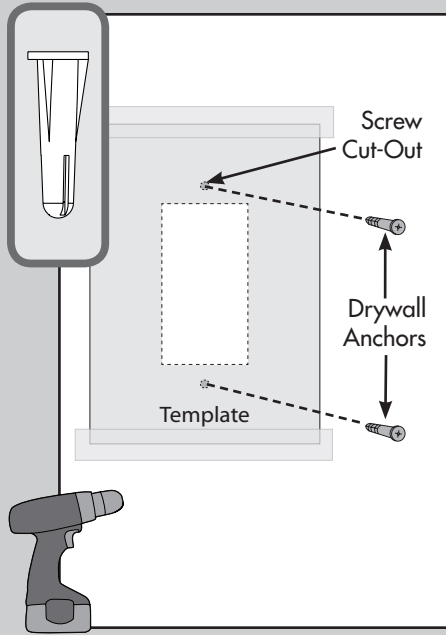
Turn the splices upward and push them carefully back through the hanger bracket into the outlet box. Spread the wires apart, with the grounded wires on one side of the outlet box and the ungrounded wires on the other side of the outlet box.

Refer to CAUTION c.1 on pg. 2

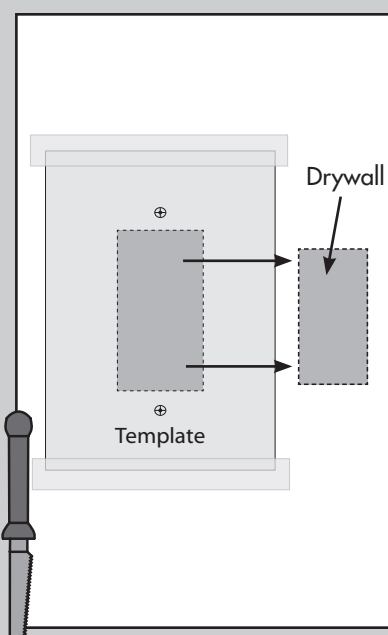


1. Tape the provided wall control template with painter's tape at the desired installation area.
2. Drill holes inside the four corners of the template.

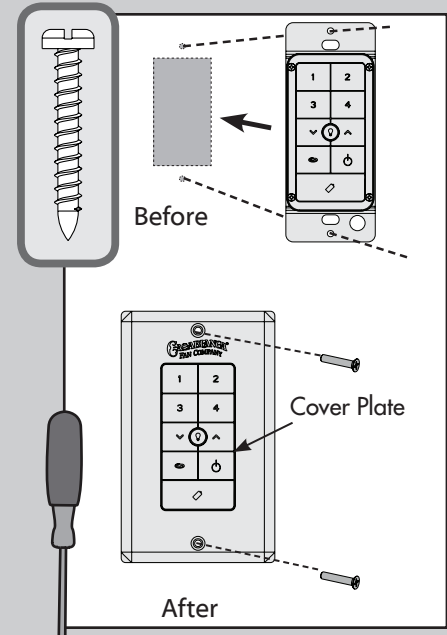
Note: Make sure the wall control template is level before proceeding to the next step.



1. Using a 9/64 drill bit, drill a hole in each screw cut-out on the wall control template.
2. Using a hammer, tap a drywall anchor found in the wall control hardware bag into each hole until the drywall anchor is flush with the wall.



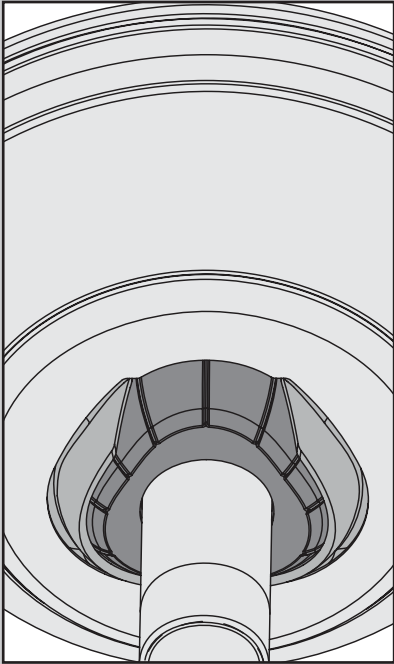
1. Using a drywall punch saw, cut out the interior shape of the template using one of the four drilled corners as a starting point.
2. Remove the template and the cut-out section of drywall.



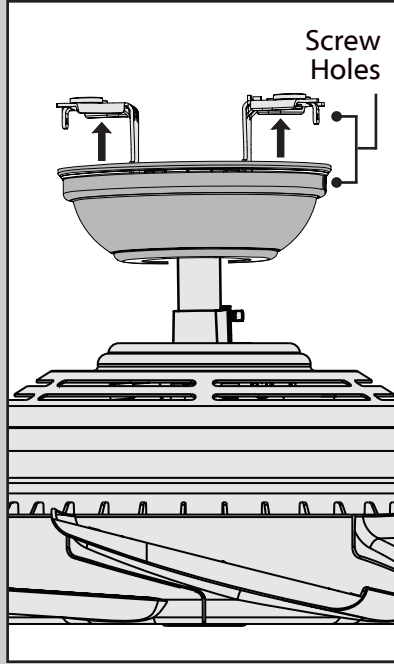
1. Insert the wall control into the dry wall cut out.
2. Align the screw holes in the wall control with the drywall anchors.
3. Install the cover plate using a Phillips Head screwdriver to secure the two cover plate screws found in the wall control hardware bag through the wall control and into the drywall anchors.

If you are using an outlet box for wall control installation, the wires coming from the wall control must be grounded using the attached green wire. If not placed in an outlet box, cap the green wire coming from the wall control with an included wire nut.

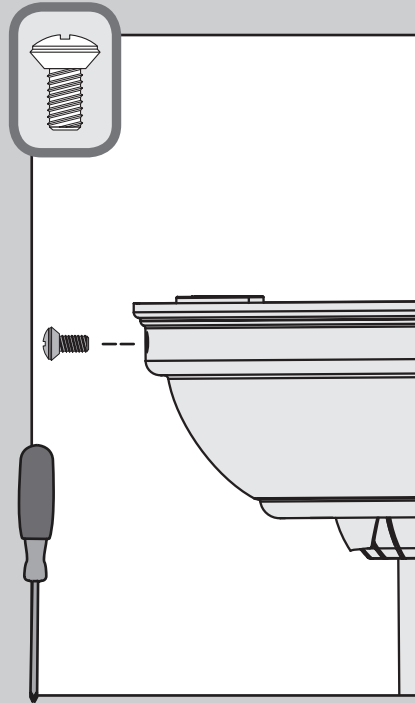
This device complies with Part 15 of the FCC Rules. Operation is subject to the following conditions: (1) this device may not cause harmful interference, and (2) this device must accept any interference received, including interference that may cause undesired operation.



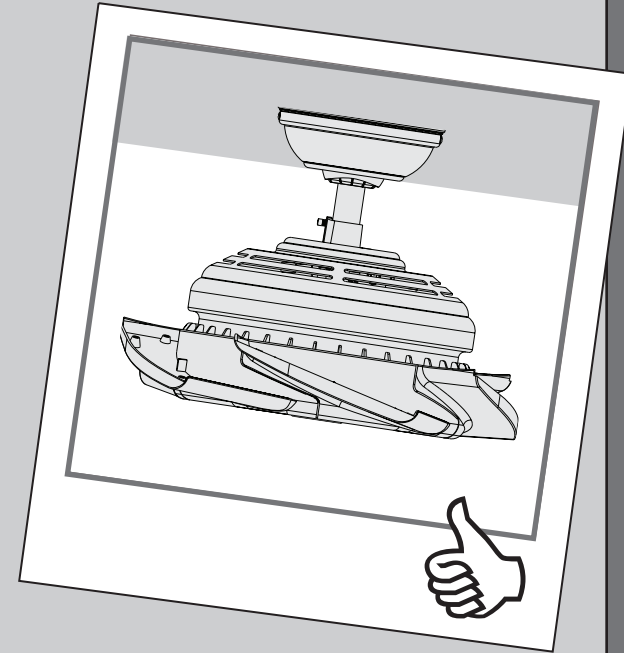
Position the canopy so that, when lifted into place, the canopy fits into the hanging bracket as shown.



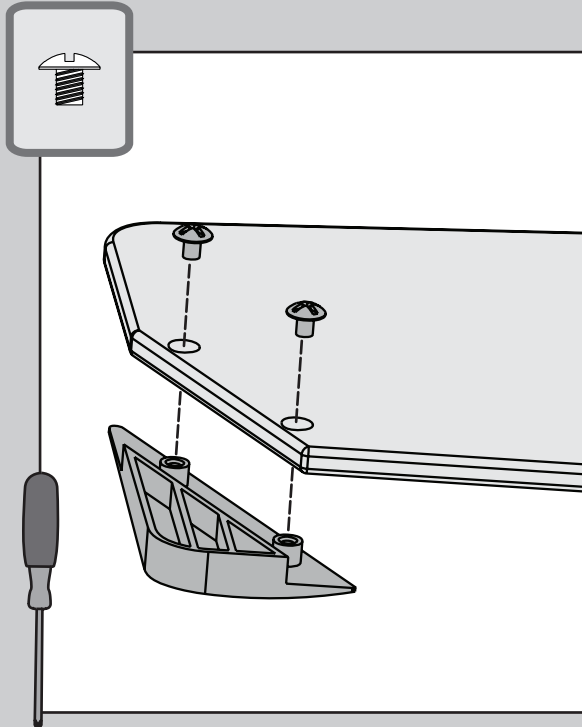
Lift the canopy into place so that the screw holes are aligned.



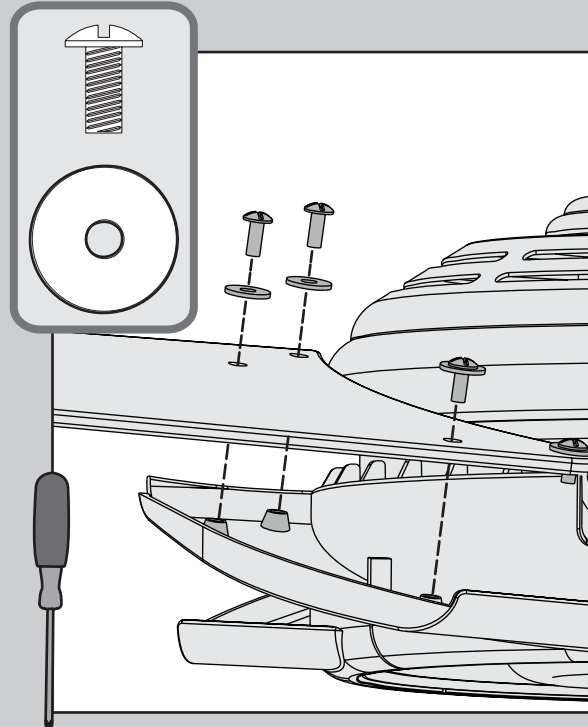
⊗ Insert the two canopy screws found in the ● hardware bag.



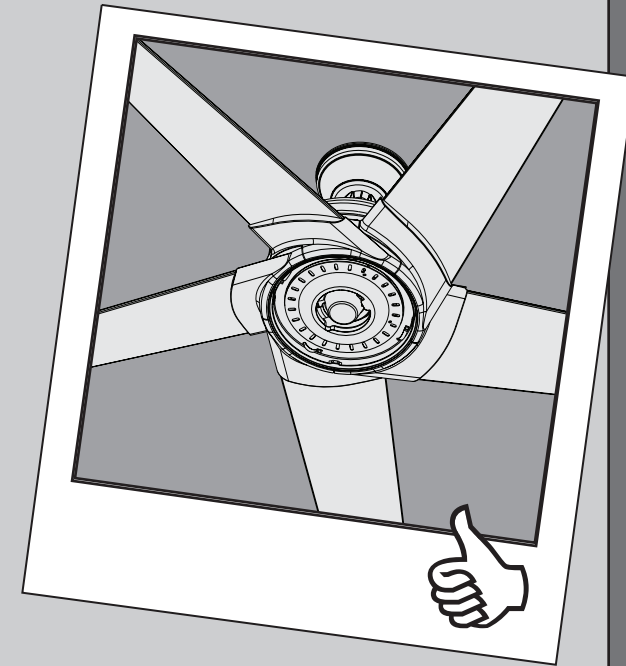
Note: Fan style may vary.

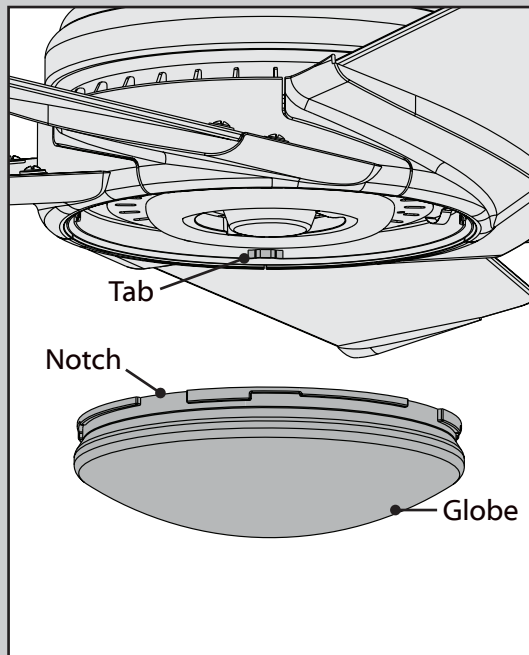


Attach a blade tip to each blade using two blade tip screws, found in the ▲ hardware bag.

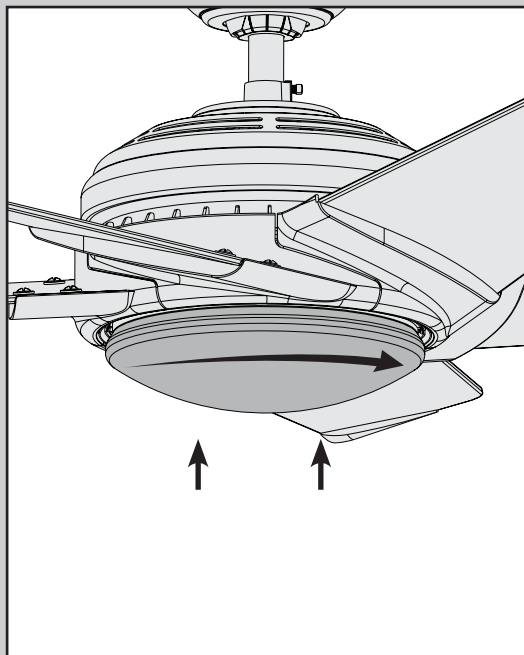


Insert four blade assembly screws and four blade washers, found in the ▲ hardware bag, into each blade as shown. Install the screws into the posts in each blade arm.





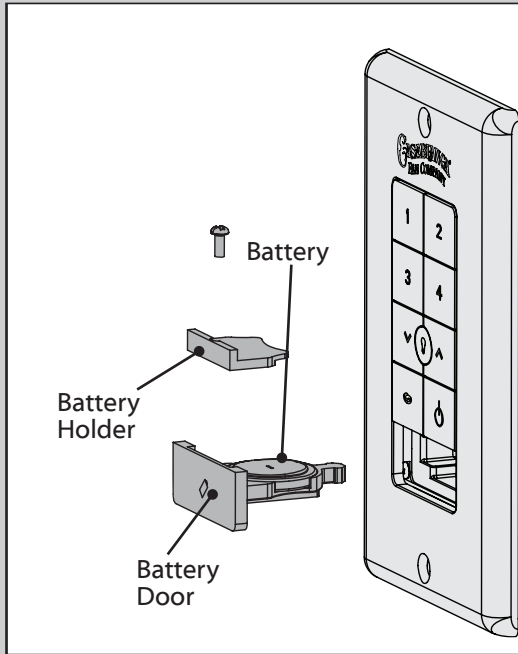
Position the notches in the outer rim of the globe so they line up with the tabs on the inside of the rim on the light kit.



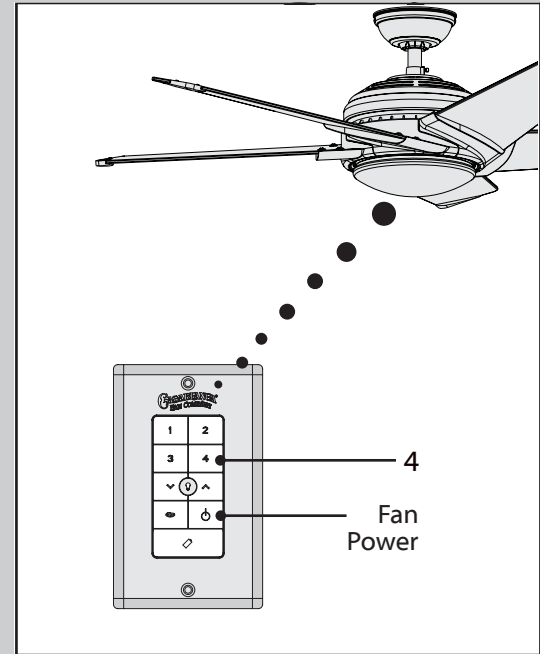
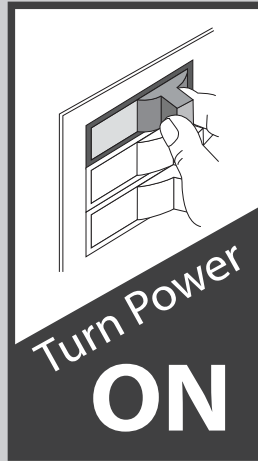
Carefully lift the globe up inside the light kit as far as it will go, then rotate the globe clockwise until it is held tightly in place by the four tabs.



See next page for fan operation instructions. 



Before operating the wall control, press on the battery door to eject it. Unscrew the battery holder. Insert the battery, found in the control hardware bag, with the positive (+) side facing downward. Reinstall the battery holder and reinsert the battery door into the wall control.

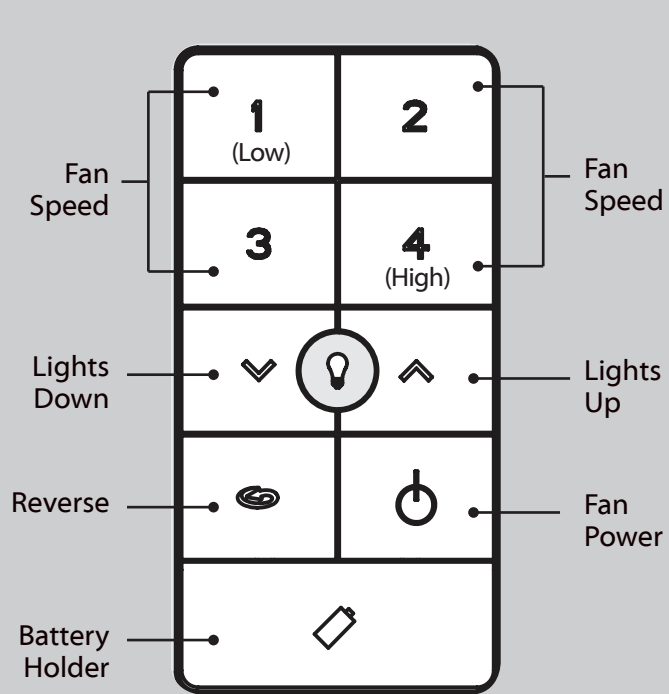


The remote transmitter should already be paired to the receiver and ready to use.

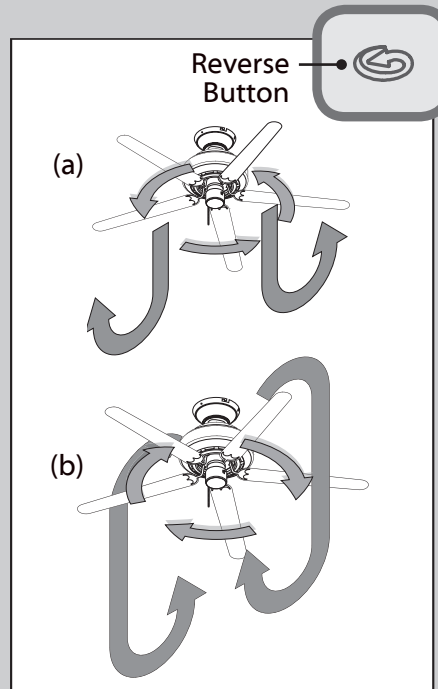
Note: If your need to pair your remote, turn fan power off and back on at the circuit breaker.

Within three minutes, press and hold both the Fan Off button and the 4 button for four seconds to pair the remote. **To prevent faulty operation, please disconnect power from all other ceiling fans within range while pairing.**

Operation (continued)



Quickly press the up or down arrow to turn the lights off and on. Hold the up or down arrow to raise or dim the light level. The reverse button changes the direction that the blades turn. The power button turns the fan off and on.

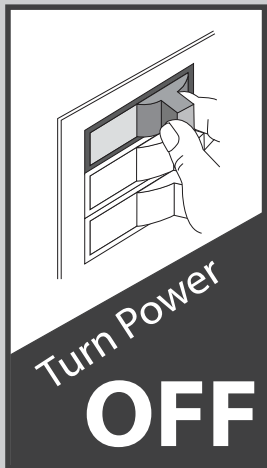


The reverse button on the wall control changes the air flow pattern. **In warm weather**, use (a) downward air flow pattern. **In cold weather**, use (b) upward air flow pattern.

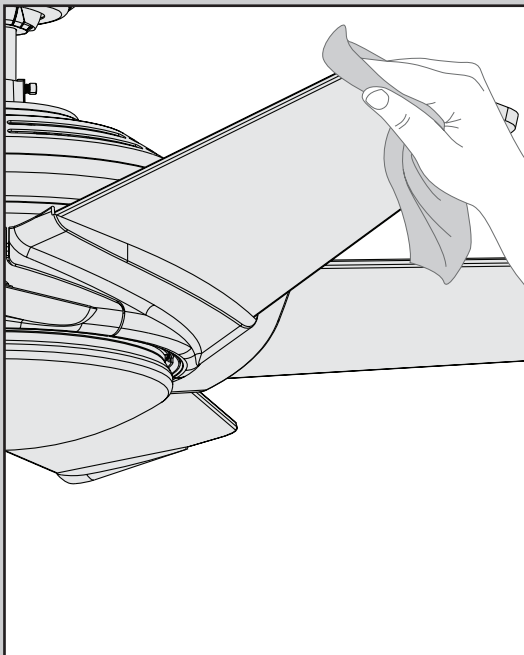
The Safe-Exit Program gives you about thirty seconds of light when you turn the lights off to exit the room before the lights go out. To use Safe-Exit:

- Press the fan power button off for at least three seconds to initiate the Safe-Exit Mode.
- The lights will flash for visual confirmation.
- The lights will stay on 50% brightness for 20 seconds and then begin to dim. After a total of 30 seconds, the lights will be completely off.

Note: For CFL lighting, the lights will stay on 100% brightness for 30 seconds. After a total of 30 seconds, the lights will be completely off.



Be sure to turn off power to the fan before performing any maintenance or relamping.



Cleaning the fan - use soft brushes or cloths to prevent scratching. Cleaning products may damage the finishes.



Casablanca fans have the power to cut your cooling costs up to 40%.

Beat the High Cost of Cooling

The air movement created by a Casablanca ceiling fan lets you set your thermostat higher and still stay comfortable. Every degree you raise the thermostat saves up to 7% on energy costs. So, you can cut back on expensive air conditioning ... and save up to 40%* on cooling. In winter, your Casablanca fan recirculates warm air and saves up to 10%* on heating bills.

* On average at low speed settings. Your savings may vary based on climate, building type and thermostat setting.

Save Energy and Money While Protecting the Environment

Congratulations! You're saving energy and money while protecting the environment by purchasing this ENERGY STAR qualified Casablanca ceiling fan! With this purchase, you are doing your part to protect the environment. Your new ceiling fan has earned the ENERGY STAR label because it meets high energy efficiency specifications set by the Environmental Protection Agency (EPA). ENERGY STAR labeled ceiling fans save energy because they have more efficient fan motors and air delivery due to more aerodynamic blade configurations. Ceiling fan models bearing the ENERGY STAR label move air 14 - 20% more efficiently than typical ceiling fan models. For more information on ENERGY STAR, visit www.energystar.gov.

Fan doesn't work

- Press a fan speed button (1-4).
- Check the circuit breaker to ensure the power is turned on.
- Check the wall control battery.
- Make sure that you have paired the wall control.
- Make sure the blades spin freely.
- Turn off power from the circuit breaker, then loosen the canopy and check all the connections according to the wiring diagram on pages 9-10.

Excessive wobbling

- Tighten all of the blade screws until they are snug.
- Turn the power off, support the fan carefully, and check that the hanger ball is properly seated.
- Use the provided balancing kit and instructions to balance the fan.

Noisy Operation

- Tighten the blade and blade iron screws until they are snug.
- Check to see if any of the blades are cracked. If so, replace all of the blades.

AUTHORIZED SERVICE CENTERS

For the most updated list of Casablanca Authorized Service Centers, visit www.CasablancaFanCo.com or call toll free 1-888-227-2178.

Remote doesn't work

- Install a fresh battery in the wall control.
- Make sure you have paired the remote.

If you have multiple remotes or multiple remote-controlled fans installed on the same circuit breaker

and you are experiencing interference or faulty operation of your remote controls, please go to www.CasablancaFanCo.com/FAQs and click "How do I properly install multiple remote-controlled fans?" for information on how to correct this issue.